

**PRODUCT UPDATE - September 2016 (last update 04.08.2022)**



## Nozzles and spare parts for CATERPILLAR® COMMON RAIL SYSTEM suitable for Perkins® and Mitsubishi® applications

Caterpillar® also developed a Common Rail system capable of multiple injection.

Multiple injection allows optimal combustion and low emissions at all loads.

Caterpillar® CR fuel system is the most effective technology to match emission regulations. The main components are a high pressure (HP) pump, rail, injector and electronics. Caterpillar® C4.4 and C6.6 ACERT Industrial Diesel Engines offer the perfect balance between durability, fuel efficiency and low emissions. These engines use Common Rail fuel systems and advanced control systems to deliver maximum uptime in the harshest environment. Applications powered by C4.4 and C6.6 ACERT engines include: Agriculture, Tractors, Aircraft Ground Support, Grinders, Harvesters, Compactors/Rollers, Compressors, Construction, Cranes, Forestry, Forklifts, General Industrial, Irrigation Equipment, Loaders, Mining. Perkins® is using this system on its 1100 Series. New Engines C7.3 and C9.3 with Common Rail system are also present in the markets worldwide.

Check out in next pages our products suitable for Caterpillar®

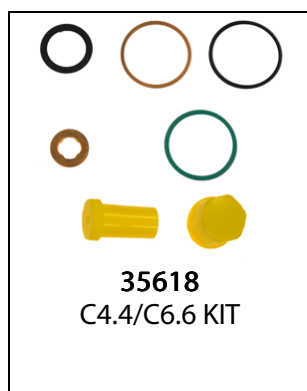


## NOZZLES

Seven Code	Stamping	Injector No.	Main applications	Engine
79842	2645A742	257-2500, 266-4434, 276-8280, 282-0480, 289-7500, 293-9580, 321-1080, 10R7667, 2645A703, 2645A704, 2645A708, 2645A742	Perkins	C6.6
79845	2645A745	320-0670, 10R7670, 2645A717, 2645A733, 2645A745	Perkins	C6.6
79847	2645A747	320-0680, 10R7672, 2465A718, 2645A734, 2645A747, 226779M1	Perkins and Massey Ferguson	C4.4/C6.6
79849	2645A749	320-0690, 10R7673, 2645A719, 2645A735, 2645A749	Perkins	C6.6
79861	32F61-00061	326-4740, 10R7676, 32F61-00022, 32F61-00061	Mitsubishi	315D/318D/319D
79862	32F61-00062	326-4700, 10R7675, 32F61-00060, 32F61-00062	Mitsubishi	320D/321D/323D



## INJECTORS SPARE PARTS

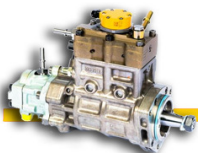




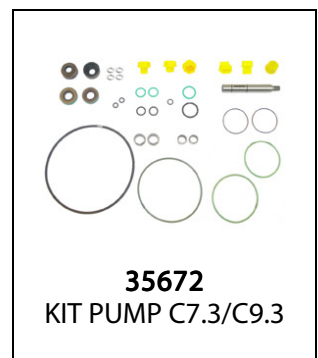
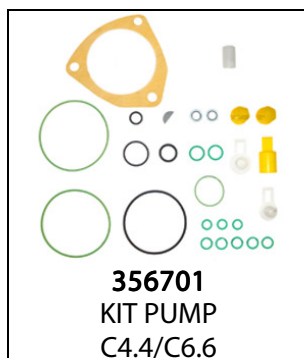
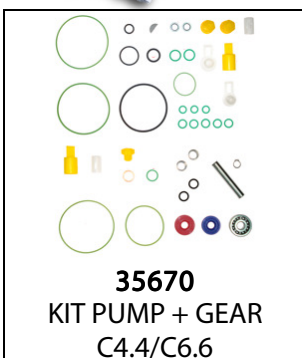
## INJECTORS SPARE PARTS

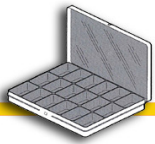


VALVES  
35661 and 35662 are  
slightly different



## PUMPS SPARE PARTS





## CALIBRATION SHIMS

**15140**  
Shim Kit  $\varnothing$  26 –  
Hole  $\varnothing$  22,5  
Total items 240 pcs. –  
24 shims size from  
2,04 to 2,50 (cut 0,02)

**15141**  
Shim Kit  $\varnothing$  26 –  
Hole  $\varnothing$  22,5  
Total items 470 pcs. –  
54 shims size from  
2,04 to 2,50 (cut 0,01)

**15142**  
Shim Kit  $\varnothing$  6,6  
Total items 360 pcs. –  
36 shims size from  
1,30 to 2,00 (cut 0,02)

**15143**  
Shim Kit  $\varnothing$  6,6  
Total items 360 pcs. –  
36 shims size from 2  
to 2,35 (cut 0,01)



## TOOLS

**10105**  
Key for mounting /  
dismounting the  
inner  
ring-nut

**10106**  
Key for mounting /  
dismounting the nut  
To be used with  
10105

**10110**  
12 Faces key for  
dismantling the  
electromagnet.  
Distance between  
faces 27.5 mm